



ASSEMBLY GUIDE



ParWire[®] BASKET SHELVING



Read and understand all of the instructions and safety information in this document before operating this product.

PARWIRE® BASKET SHELVEING PARTS & HARDWARE

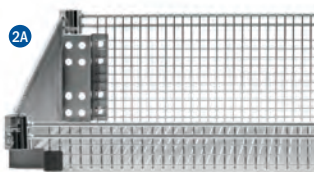
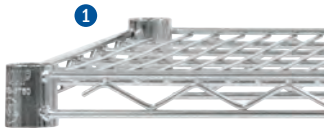
TOOLS NEEDED

Nylon or Rubber Base Hammer

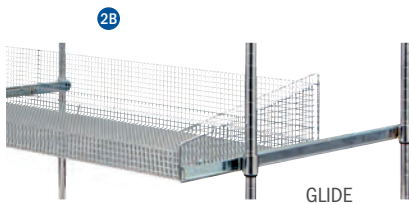
PARTS & HARDWARE	QTY
1. Wire Shelves	2
2. Basket Shelving*	Varies
3. Posts	4
4. Split Sleeves	4/Shelf
5. Casters†	4
6. Leveling Feet†	4

*Basket Shelving can include FLAT, SLANTED, or GLIDE Baskets.

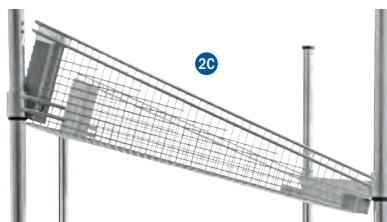
†Based on your order, you will receive either Casters OR Leveling Feet.



FLAT



GLIDE



SLANTED



Swivel Caster



Brake Caster



Leveling Feet

ASSEMBLY INSTRUCTIONS

Each ParWire® Basket Shelving Cart comes with two (2) LQS Flat Wire Shelves; one to be placed at the bottom and one to be placed at the top for added stability.

MOUNT FIRST SHELF (BOTTOM)

Install bottom shelf first using one (1) of the two (2) LQS Flat Wire shelves and work your way up. Refer to location numbers on posts. Refer to location of numbers on posts, snap tapered split sleeves on each post at the desired position for bottom shelf. The thickest part of the tapered split sleeve goes to the bottom side of post. Be sure that the split sleeves have been seated properly in the groove.

MOUNT PARWIRE BASKET SHELVES

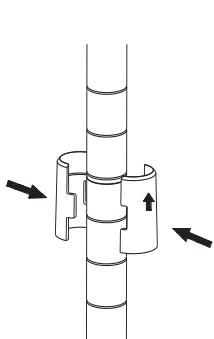
Continue process for the ParWire Basket Shelves by snapping split sleeves in the preferred location as before and sliding the shelf into position. Follow the same procedure with each shelf working from the bottom up.

MOUNT LAST SHELF (TOP)

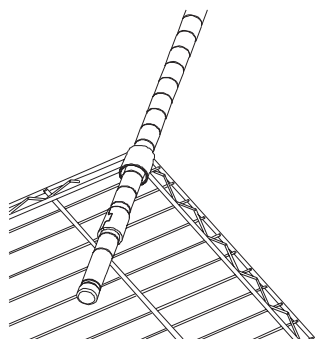
Mount the second LQS Flat Wire Shelf last at the top of your rack/cart.

LEVELING OF UNIT (ONLY FOR CARTS WITHOUT CASTERS)

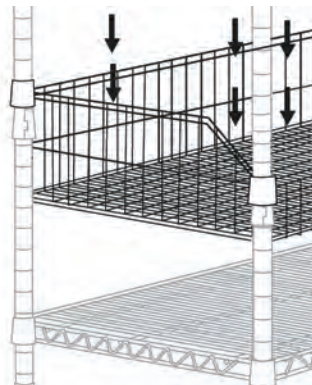
For carts/racks with leveling feet place unit at desired location, and level using a bubble level. The leveling bolts, on post bottom, allow ½” adjustments.



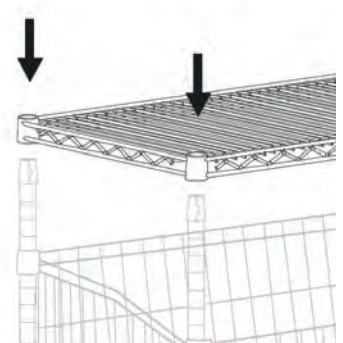
Snap plastic tapered split sleeves on each post



Install bottom shelf by sliding over the posts



Tap very lightly with a nylon or rubber base hammer to seat the basket shelf on the split sleeves



Install top shelf by sliding over the posts

PARWIRE® GLIDE BASKET MOUNTING PARTS & HARDWARE

TOOLS NEEDED

- Drill
- Screw Driver

PARTS & HARDWARE	MODEL	QTY
1. Carabiner	TETHERSSC25	2
2. Metal Lanyard	TETHERLAN6	1
3. D Ring Kit*	TETHERSSDR1	1 Kit
4. Toggle Bolts†	-	2
5. Screws‡	-	2

*D Ring Kit includes D Ring and two (2) Wall Mounting Brackets.

†Toggle Bolts are used for drywall and need to hold a minimum of 100 pounds each. Toggle Bolts are provided by installer.

‡Screws are used for cinder block and need to hold a minimum of 100 pounds each. Screws are provided by installer.

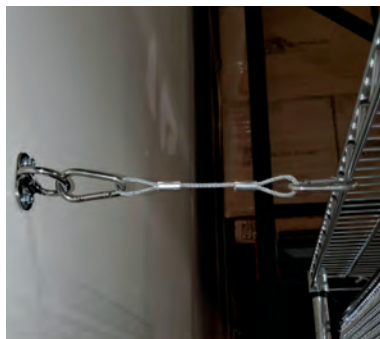
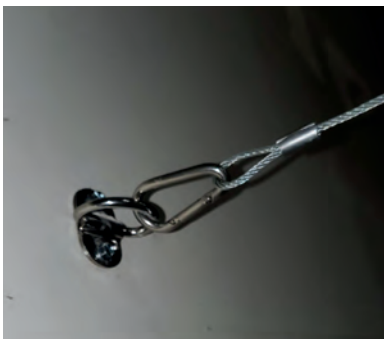


PARWIRE® GLIDE BASKET MOUNTING INSTRUCTIONS

ParWire Shelving that includes the GLIDE Basket is not for use in mobile applications. The shelving unit must be anchored to the floor or wall, or to another similar sized shelving unit in a back:back orientation. LogiQuip can provide Tethering Kits for the floor and wall. A unit with one (1) Gliding Basket does not need to be secured. Configurations with more than one (1) Glide Basket must use a Tethering Kit. No more than four (4) Glide Baskets can be used per cart.

Based on wall type the appropriate hardware needs to be determined by the installer to mount the D Ring Kit (PART 3) to the wall. If the mounting surface is drywall you will need two (2) Toggle Bolts (PART 4) that must hold a minimum of 100 pounds each. If the mounting surface is concrete or cinder block then use two (2) Screws (PART 5) that must hold a minimum of 100 pounds each.

1. Place one (1) Carabiner (PART 1) on each end of the metal Lanyard loops (PART 2) .
2. Place the D Ring (PART 3) between the Flat and Curved Wall Mounting Brackets (PART 3).
3. Attach the D Ring Kit (PART 3) to the wall towards the top back of the Cart. This Tether Kit needs to be mounted in the middle on the top Shelf or Basket.
4. Clip the Carabiner (PART 1) to the D Ring (PART 3) and then clip the other end with the Carabiner (PART 1) to the back solid wire on one of the Flat Shelves or Baskets.
5. Push the Cart up against the wall and make sure the Lanyard is tucked behind the Baskets.



WARNING: Do not load more than 50 pounds in a Glide Basket. Do not pull out more than one Glide Basket at a time. When pulling-out a Glide Basket, grab it at the middle; do not pull it out from the side. Do not use the Glide Basket as a step.

LIMITED 5-YEAR WARRANTY

LogiQuip products are covered by a Limited 5-Year Warranty from date of receipt against defect in materials or workmanship under normal use and service, excluding Electronic Components, Cart Covers, Custom Products, LogiCell Tambour Doors, Label Holders, and Casters. During this period, LogiQuip will, in its sole discretion, repair defects in materials or workmanship that existed when the product was received or replace the product. Visit [LogiQuip.com/Warranty](https://www.logiquip.com/Warranty) for more details.

CUSTOMER SERVICE

If you have any problems with your ParWire® Basket Shelving, please contact our Customer Service Department at:

PHONE: **(800) 665-3760**

EMAIL: CustomerSupport@LogiQuip.net

ABOUT US

Healthcare exclusive since 1992, LogiQuip's Inventory Management Solutions are designed for Healthcare Professionals looking for a better way to manage supply chain tasks. With Expert Advice, Innovative Solutions, and 360 Service that doesn't stop after the sale, LogiQuip's sole purpose is to ensure Healthcare Professionals have the supplies they need when they need them. Partnering with you to design and implement the right solutions, we give you time back to focus on what's important; Patient Care.